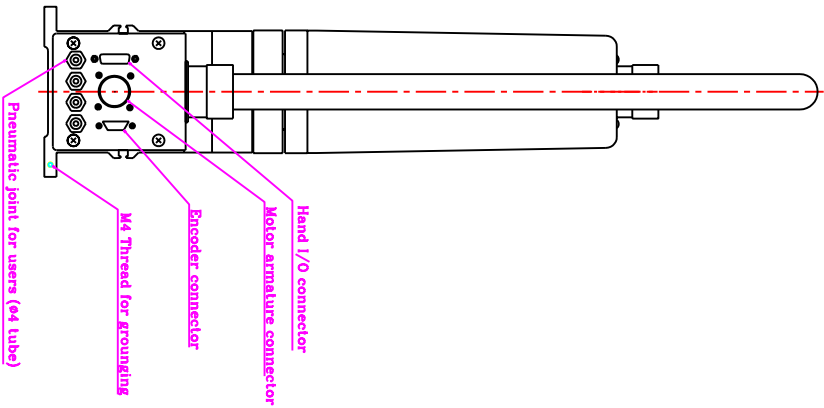
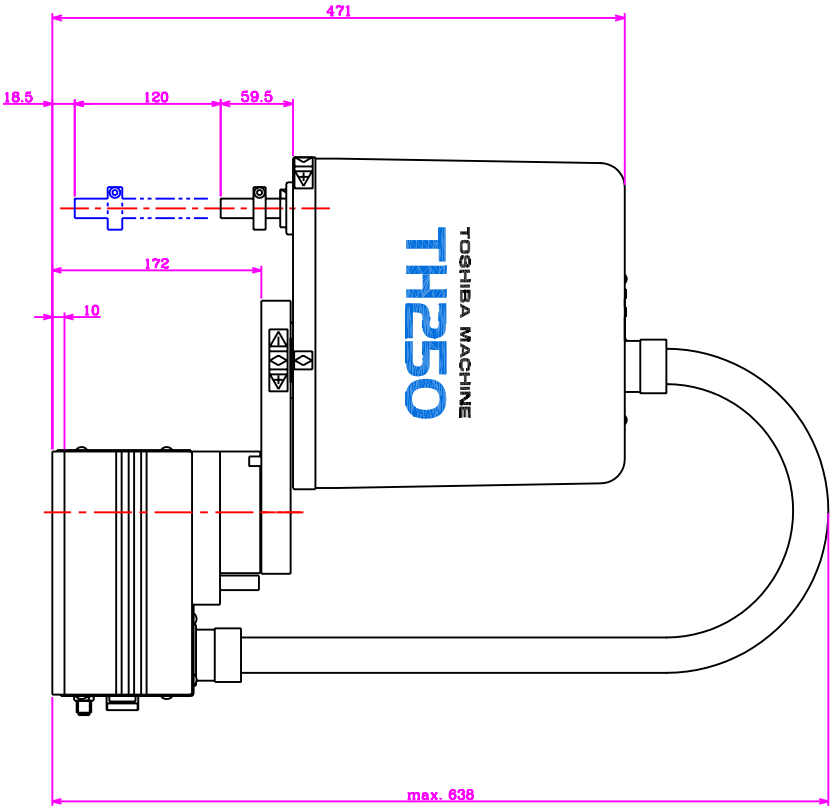
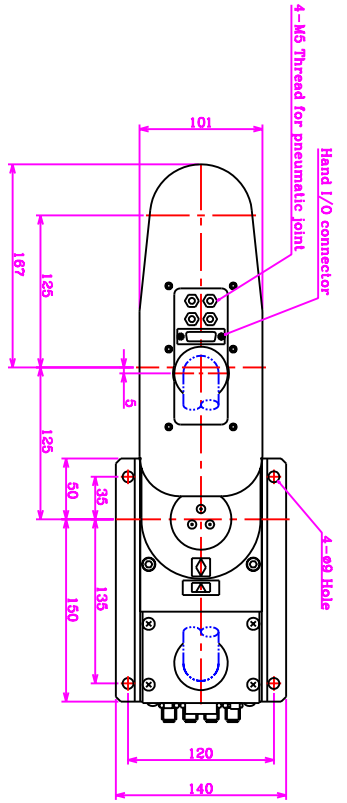
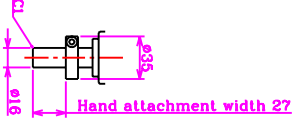


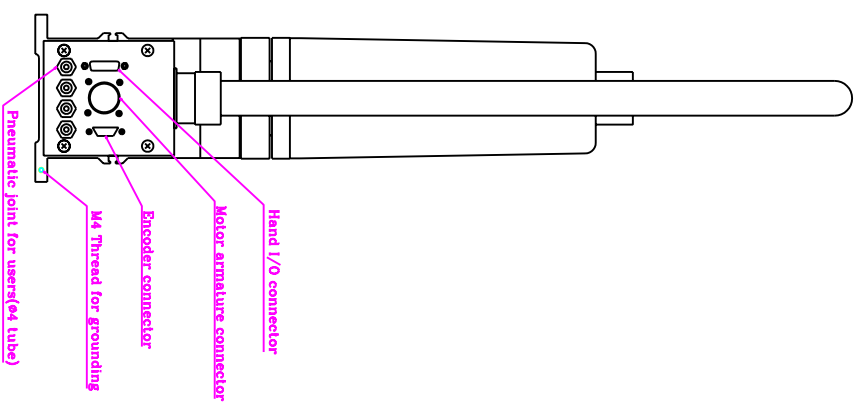
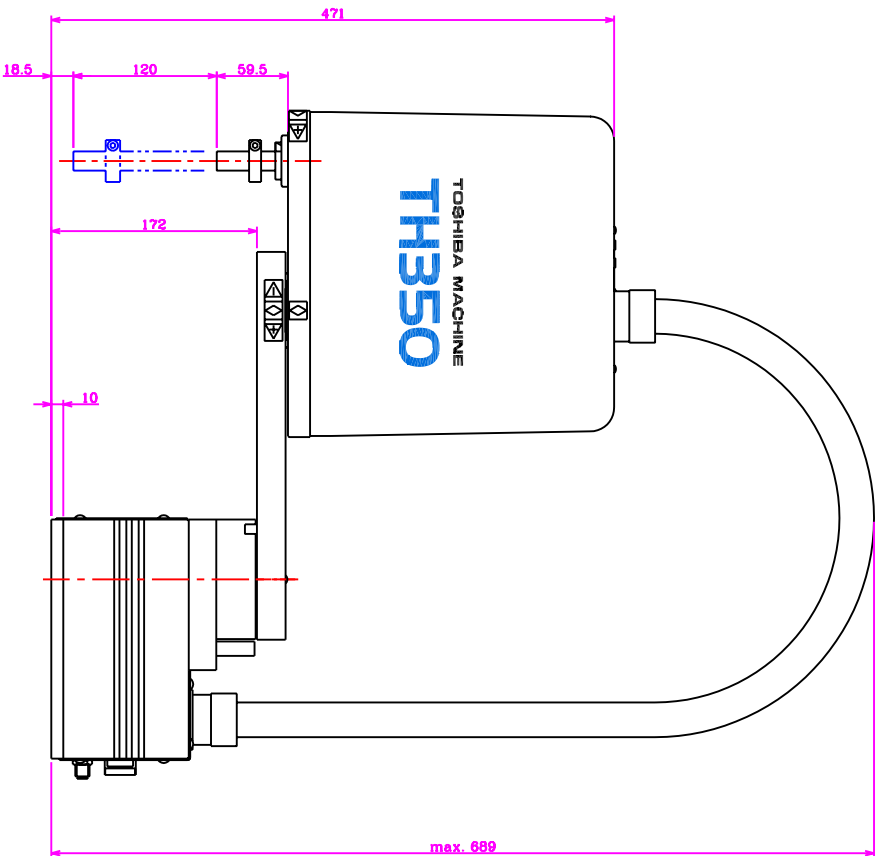
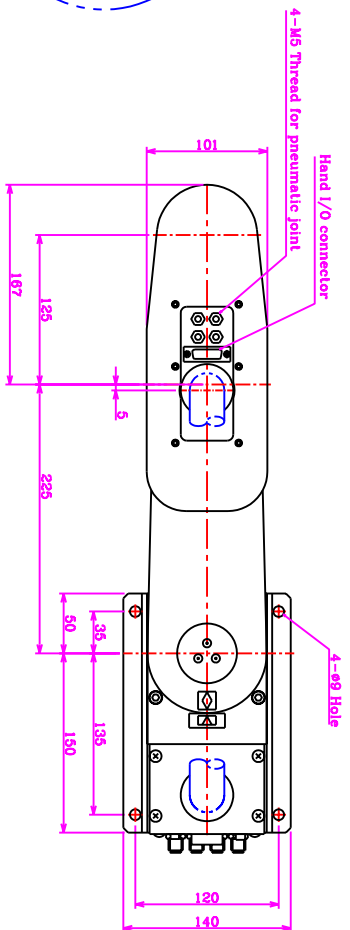
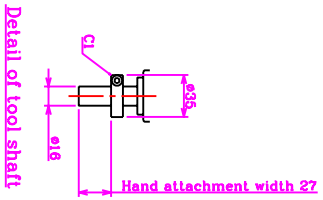
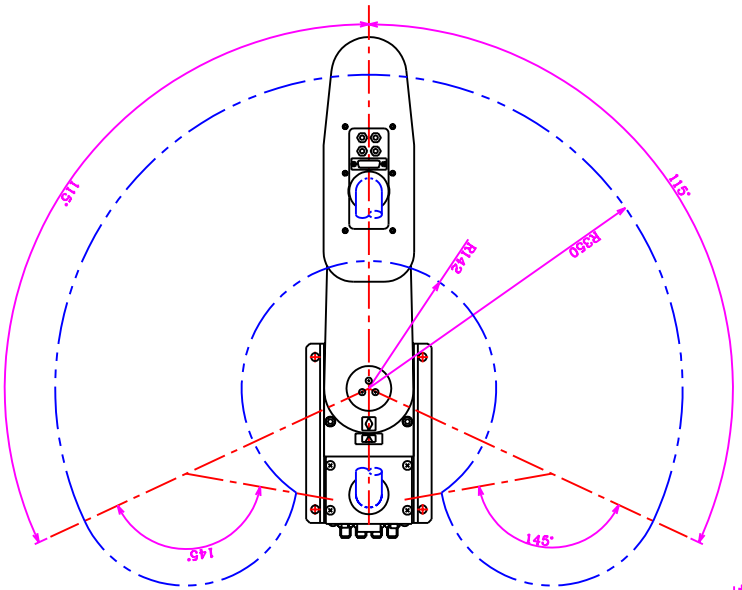
Detail of tool shaft



System Robot Outline

TH250

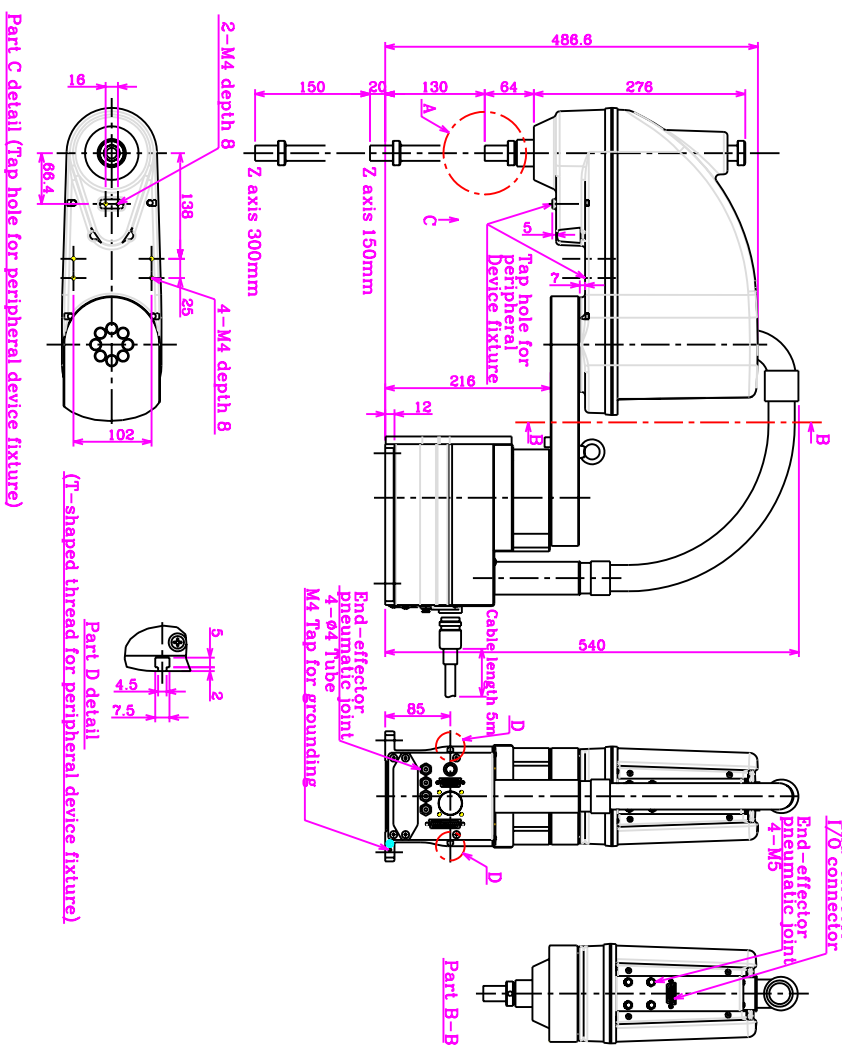
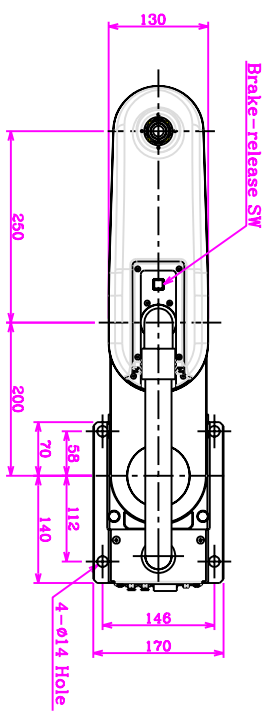
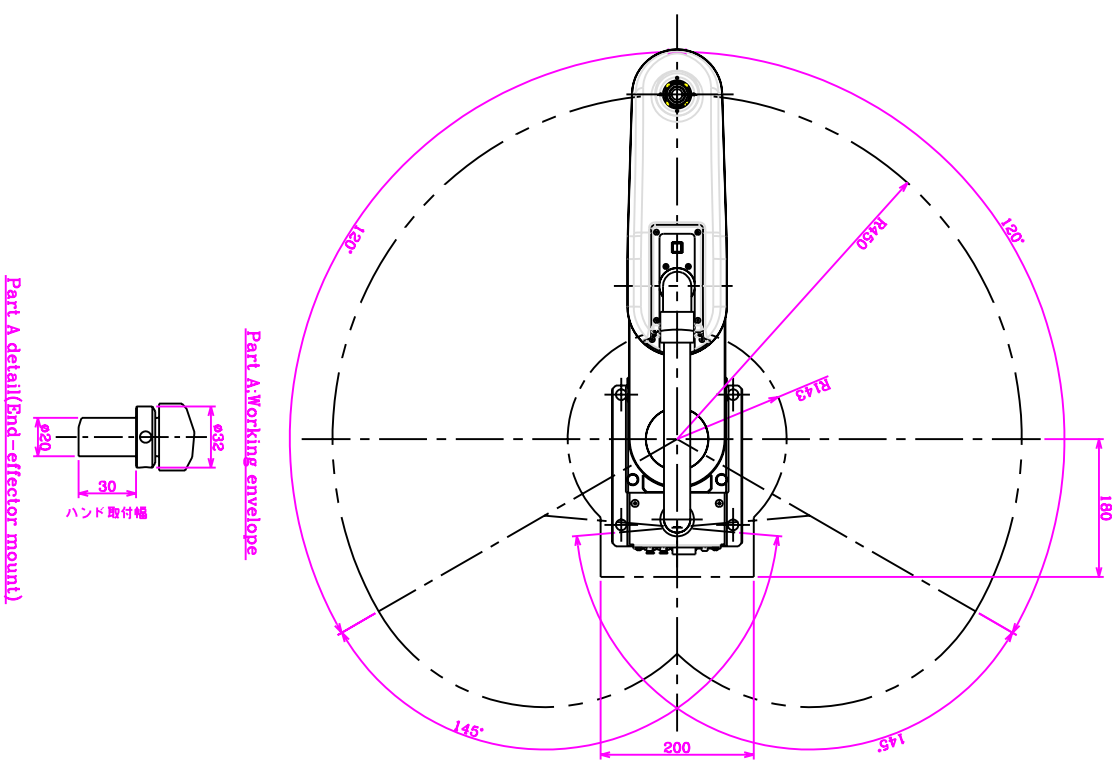
TOSHIBA MACHINE Co.,Ltd. S-V7041



System Robot Outline

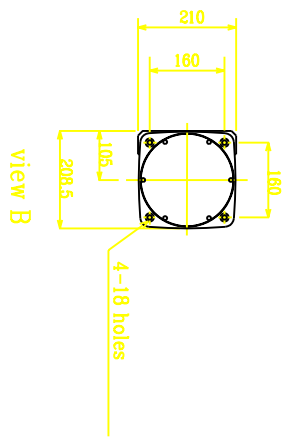
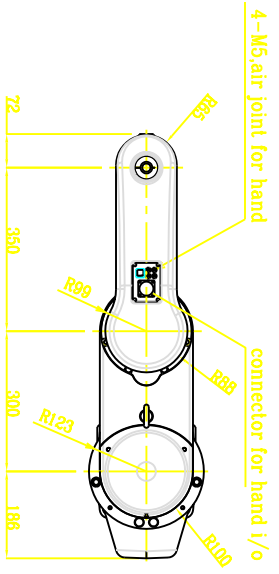
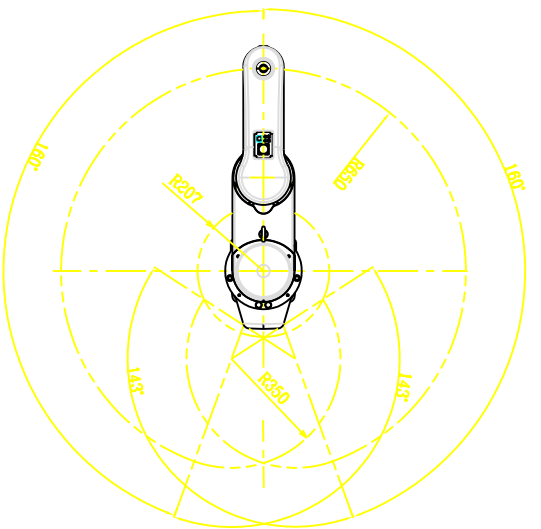
TH350

TOSHIBA MACHINE Co.,Ltd. S-V7043

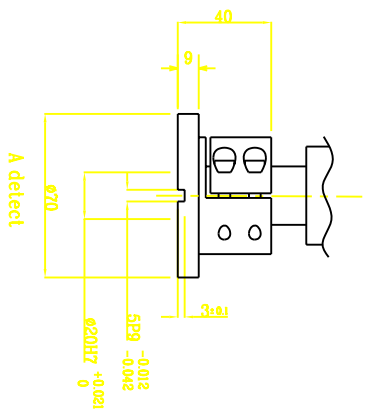


Robot Outline

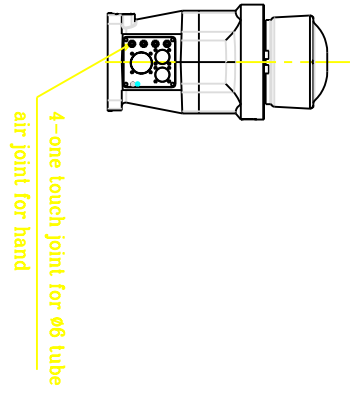
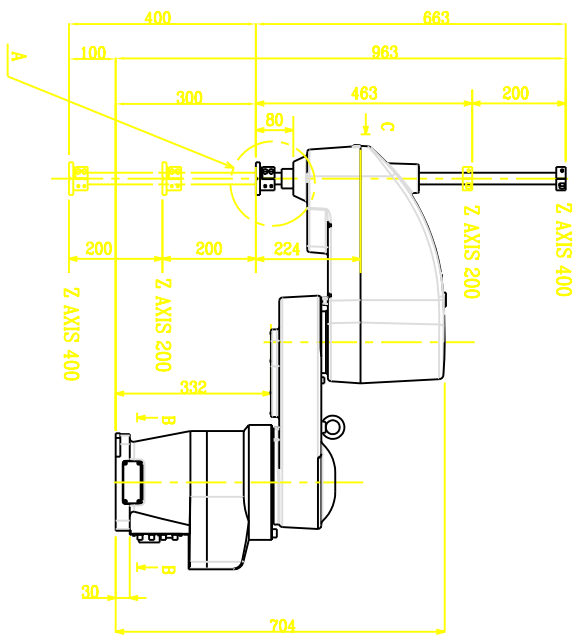
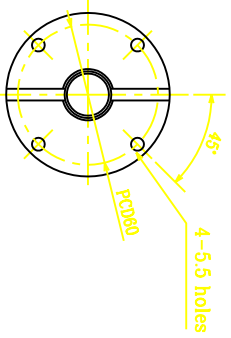


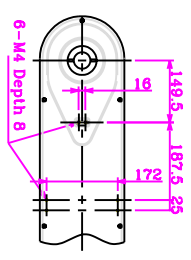
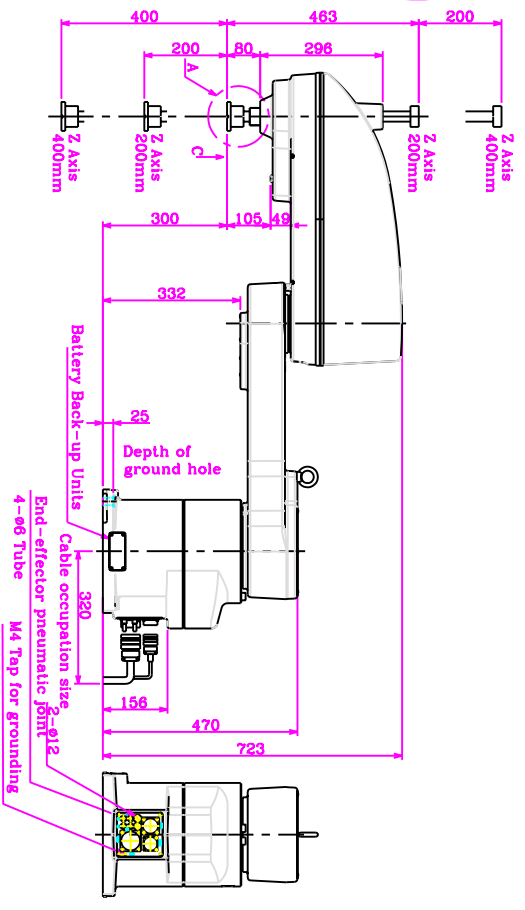
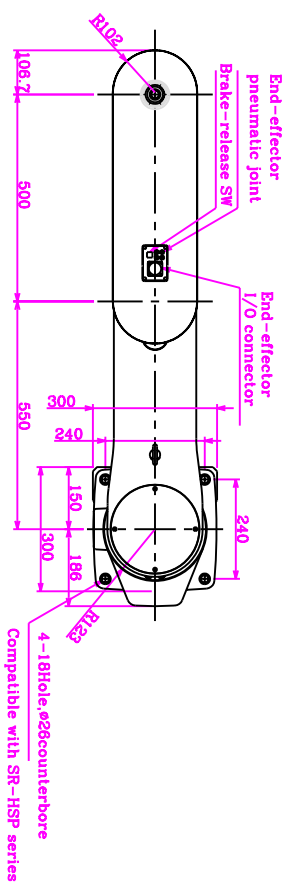
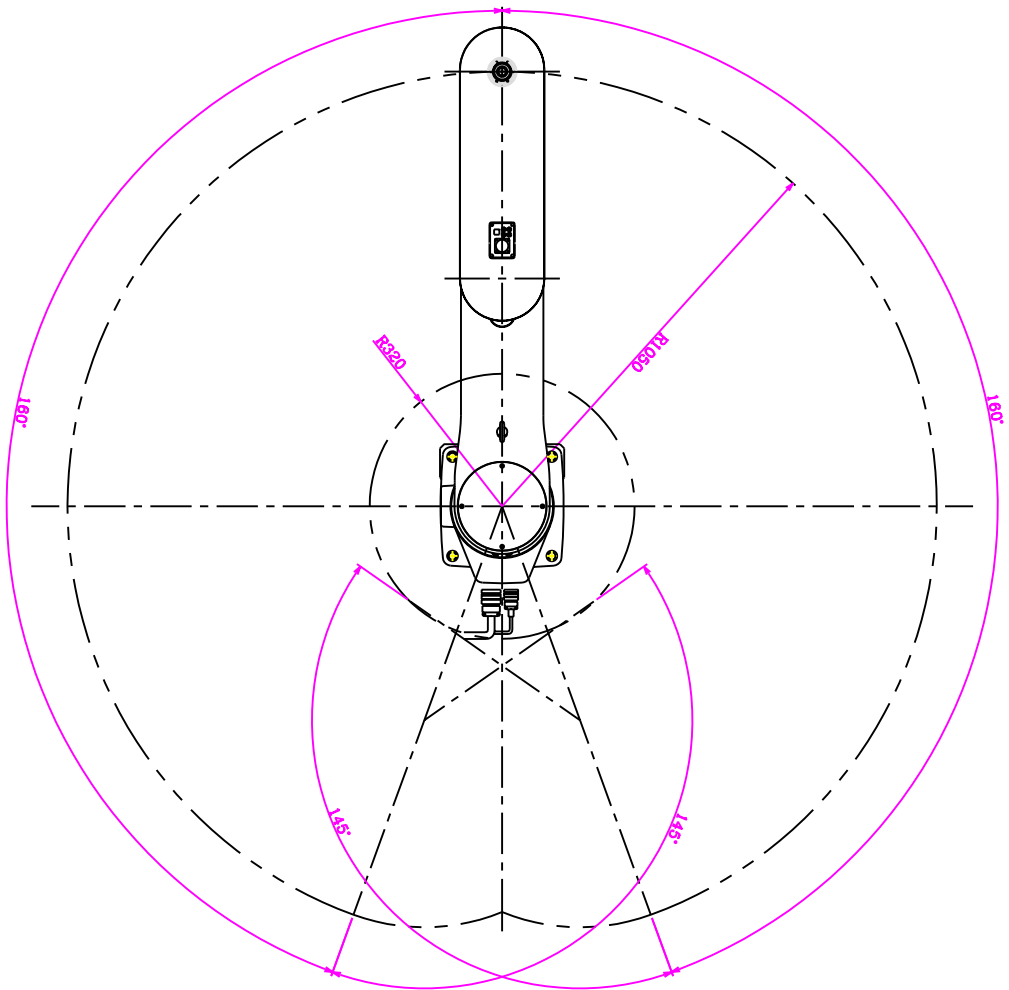


1:15

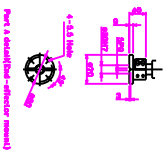


1:2





Part C detail (Tap hole for peripheral device fixture)



Part A detail (For end-effector mount)